

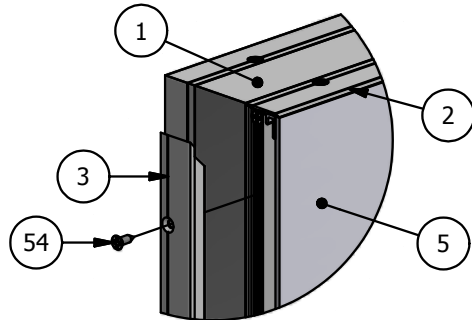
2



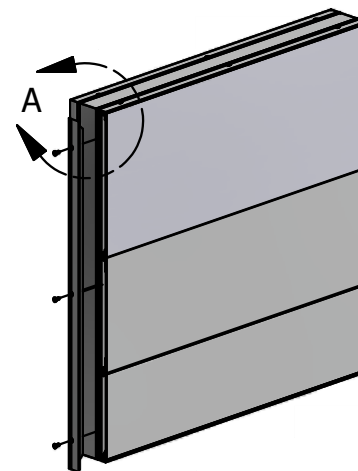
1

### PARTS LIST

ITEM	PART #	DESCRIPTION	NOTES
1	K1290	Series 3 Access Body	Assembly
2	1292	Insert Cover	Top & Bottom
3	1696	Insert End Cover	Sides
4	1668	Insert Divider	
5	1689	Panel w/ Plastic Insert Adaptors	
6	1679	Panel w/ Aluminum Insert Adaptors	
7	1674/76/78	4", 6" or 8" Aluminum Insert Panels	
54	5168	Insert End Cover Screw	Drill #8 countersink



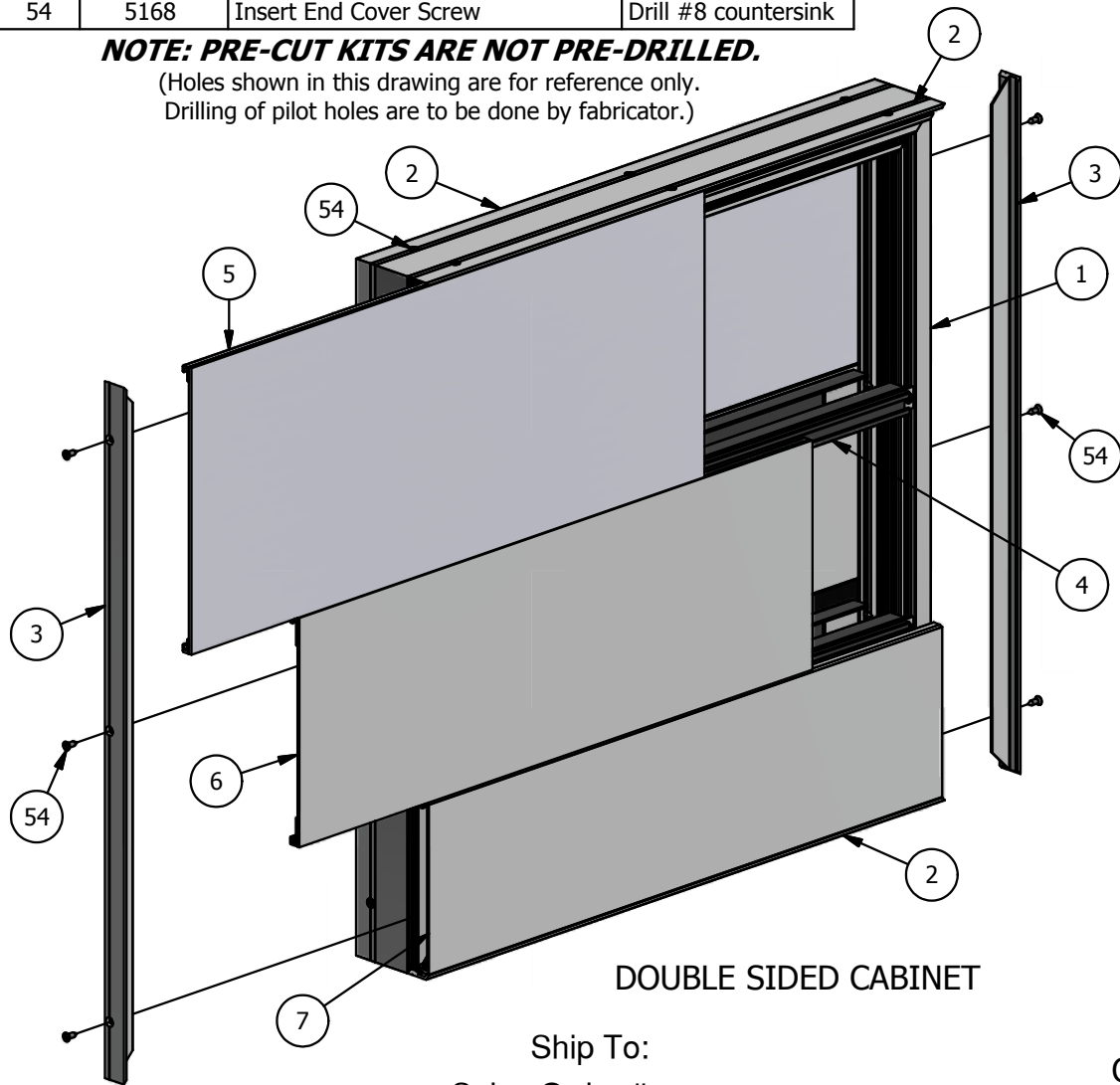
DETAIL A



B

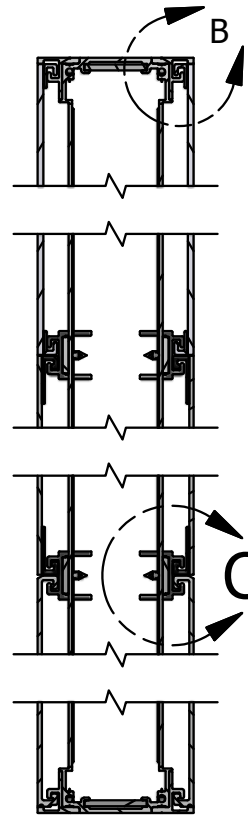
**NOTE: PRE-CUT KITS ARE NOT PRE-DRILLED.**

(Holes shown in this drawing are for reference only.  
Drilling of pilot holes are to be done by fabricator.)

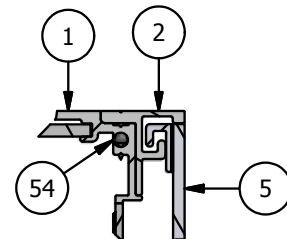


DOUBLE SIDED CABINET

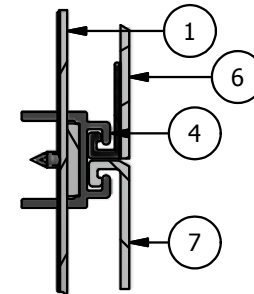
Ship To:  
Sales Order #



CABINET SECTION-VIEW  
THRU HORIZONTALS



DETAIL B



DETAIL C

2



1

THIS DRAWING WAS CREATED AT NO CHARGE TO ASSIST YOU IN VISUALIZING OUR PROPOSAL. THE DRAWING HEREIN IS THE PROPERTY OF SIGNCOMP. PERMISSION TO COPY OR REVISE THIS DRAWING OR TO USE THIS DRAWING FOR PRODUCTION IS STRICTLY PROHIBITED AND CAN ONLY BE COPIED, REVISED OR USED FOR PRODUCTION WITH THE EXPRESSED WRITTEN PERMISSION OF SIGNCOMP.

Project Name:	Series 3 - Access Body w/ Insert Covers & End Covers - Assembly	Sheet:	1 of 1
Sign Company:	K1290/92/96	Date:	3/8/2017
Part #:		Revision:	
Size:	A	Drawing By:	SBreihof

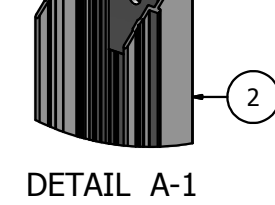
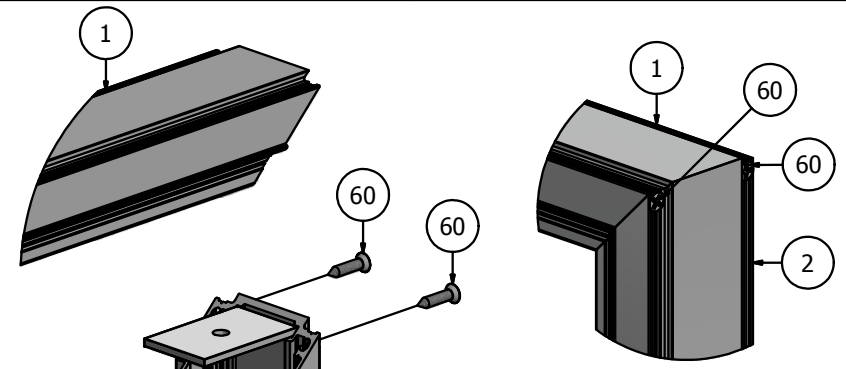
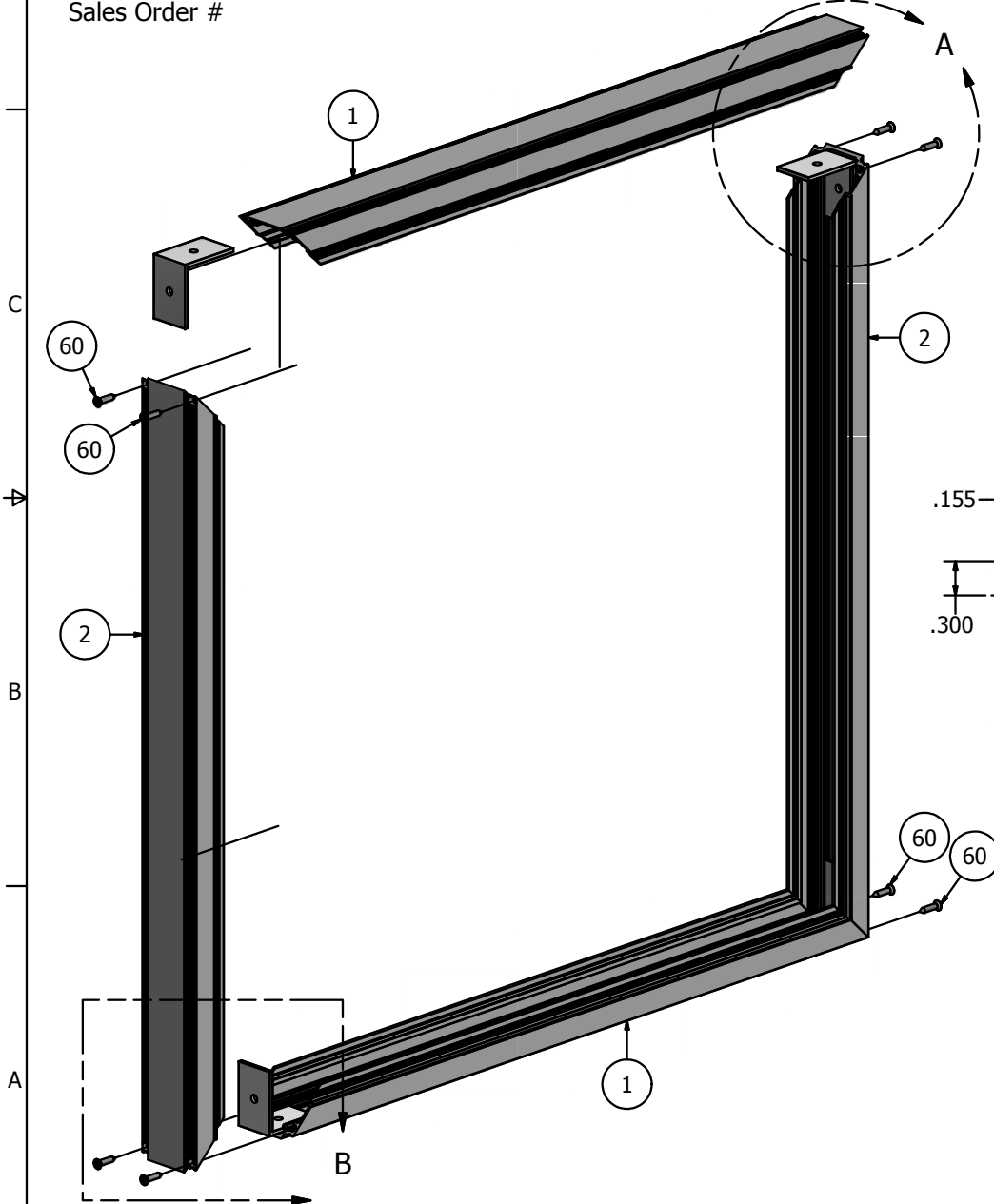
# SignComp

B

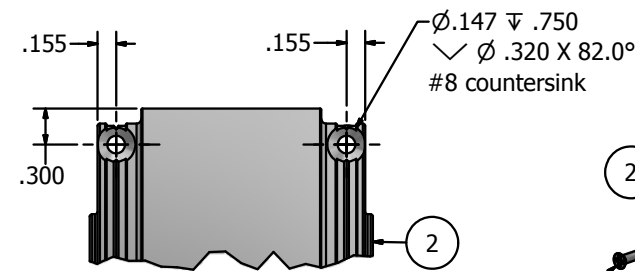
A

PARTS LIST			
ITEM	PART#	DESCRIPTION	NOTES
1	1290	Series 3 Access Body	Top & Bottom
2	1290	Series 3 Access Body	Sides
60	5241	Access Body Corner Screw	See Hole Detail
6	5339	Series 3 Access Body Corner Angle	One (1) per body corner

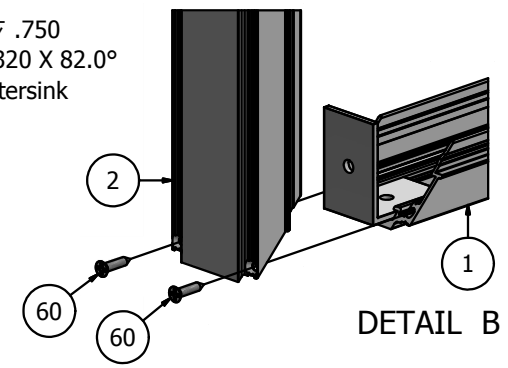
Ship To:  
Sales Order #



DETAIL A-2



HOLE DETAIL  
DRILLED BY OTHER



DETAIL B

**NOTE: PRE-CUT KITS ARE NOT PRE-DRILLED.**  
(Holes shown in this drawing are for reference only.  
Drilling of pilot holes are to be done by fabricator.)

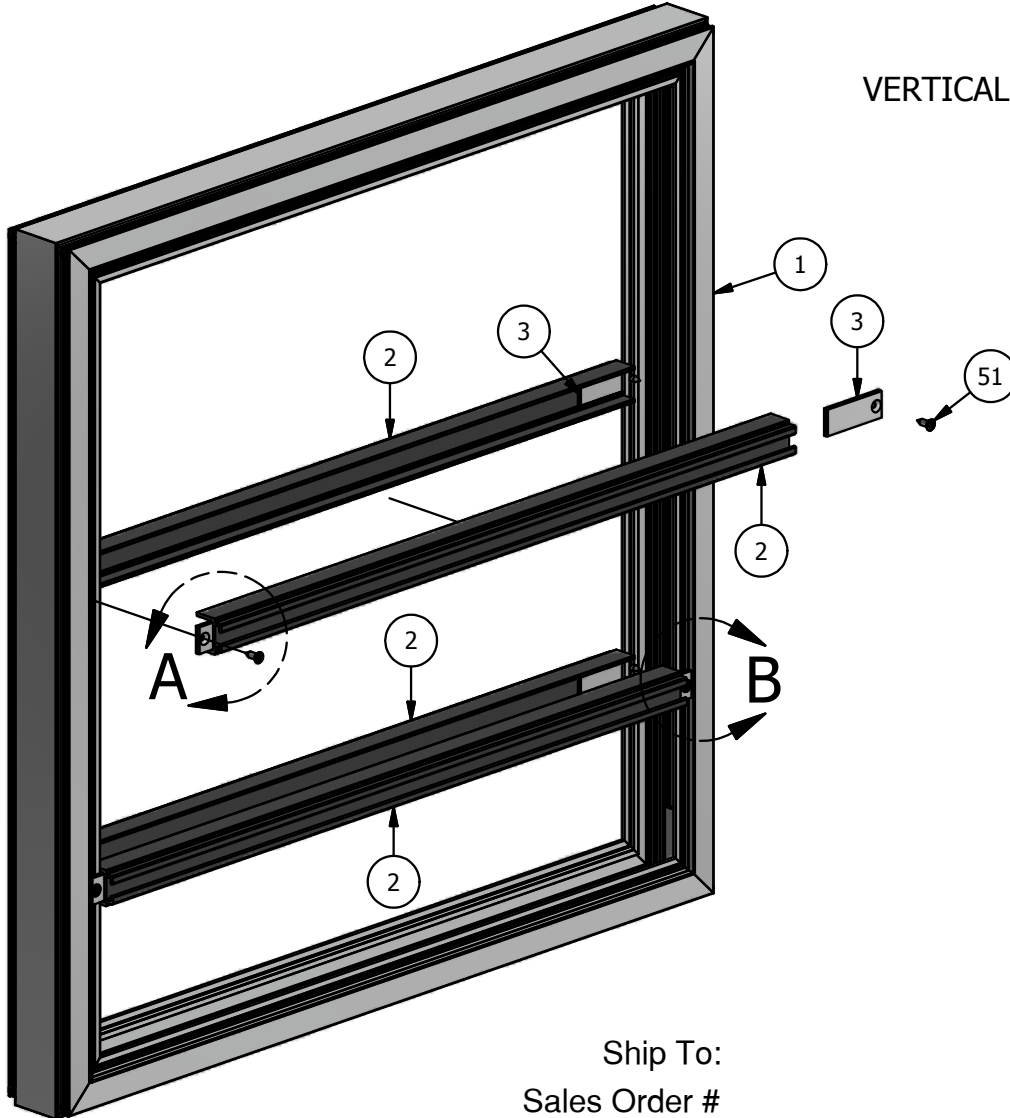
THIS DRAWING WAS CREATED AT NO CHARGE TO ASSIST YOU IN VISUALIZING OUR PROPOSAL. THE DRAWING HEREIN IS THE PROPERTY OF SIGNCOMP. PERMISSION TO COPY OR REVISE THIS DRAWING OR TO USE THIS DRAWING FOR PRODUCTION IS STRICTLY PROHIBITED AND CAN ONLY BE COPIED, REVISED OR USED FOR PRODUCTION WITH THE EXPRESSED WRITTEN PERMISSION OF SIGNCOMP.		
DRAWN	SBreihof	9/7/2012
Centroid X:	0.000 in	
Centroid Y:	0.000 in	
Principal Moments Ix:	0.000 in^4	
Principal Moments Iy:	0.000 in^4	
Section Modulus Ix:	0.000 in^3	
Section Modulus Iy:	0.000 in^3	
<div style="text-align: center;"><b>SignComp</b></div>		TITLE
		Series 3 - Access Body
DWG NO		REV
K1290		
SHEET 1 OF 1		

## PARTS LIST

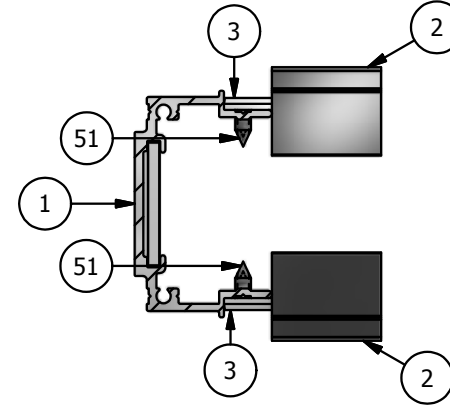
ITEM	PART #	DESCRIPTION	NOTES
1	K1290	Series 3 Access Body	Assembly
2	1668	Insert Divider	
3	5306	Insert Divider Tab	Two(2) per divider
51	5168	Insert Divider Screw	Drill #8 countersink

**NOTE: PRE-CUT KITS ARE NOT PRE-DRILLED.**

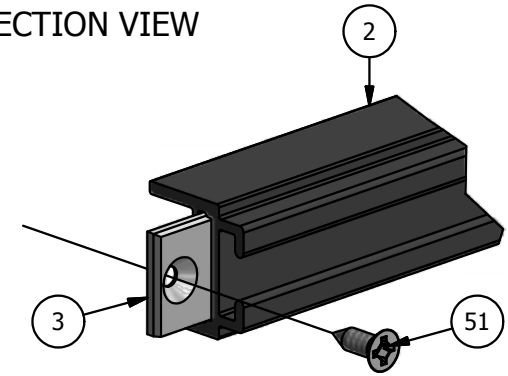
(Holes shown in this drawing are for reference only.  
Drilling of pilot holes are to be done by fabricator.)



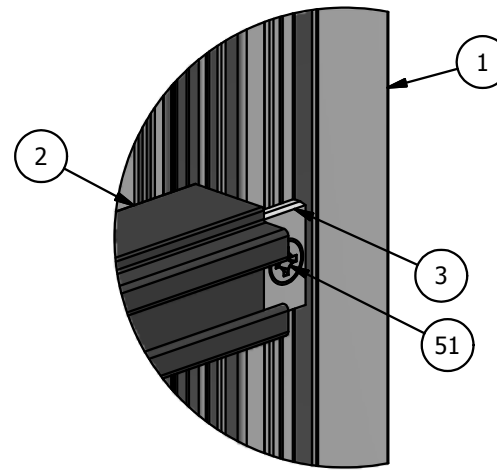
Ship To:  
Sales Order #



VERTICAL CROSS-SECTION VIEW



DETAIL A



DETAIL B

THIS DRAWING WAS CREATED AT NO CHARGE TO ASSIST YOU IN VISUALIZING OUR PROPOSAL. THE DRAWING HEREIN IS THE PROPERTY OF SIGNCOMP. PERMISSION TO COPY OR REVISE THIS DRAWING OR TO USE THIS DRAWING FOR PRODUCTION IS STRICTLY PROHIBITED AND CAN ONLY BE COPIED, REVISED OR USED FOR PRODUCTION WITH THE EXPRESSED WRITTEN PERMISSION OF SIGNCOMP.

Project Name:	Series 3 - Access Body with Insert Divider - Assembly
Sign Company:	K1290/68
Part #:	
Revision:	
Date:	3/8/2017
Sheet:	1 of 1
Size:	A
Drawing By:	SBreihof

**SignComp**

2



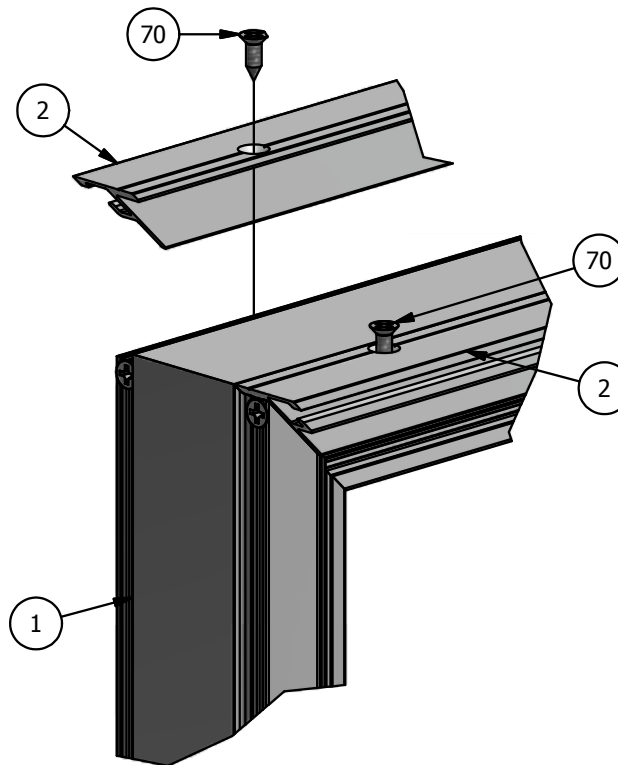
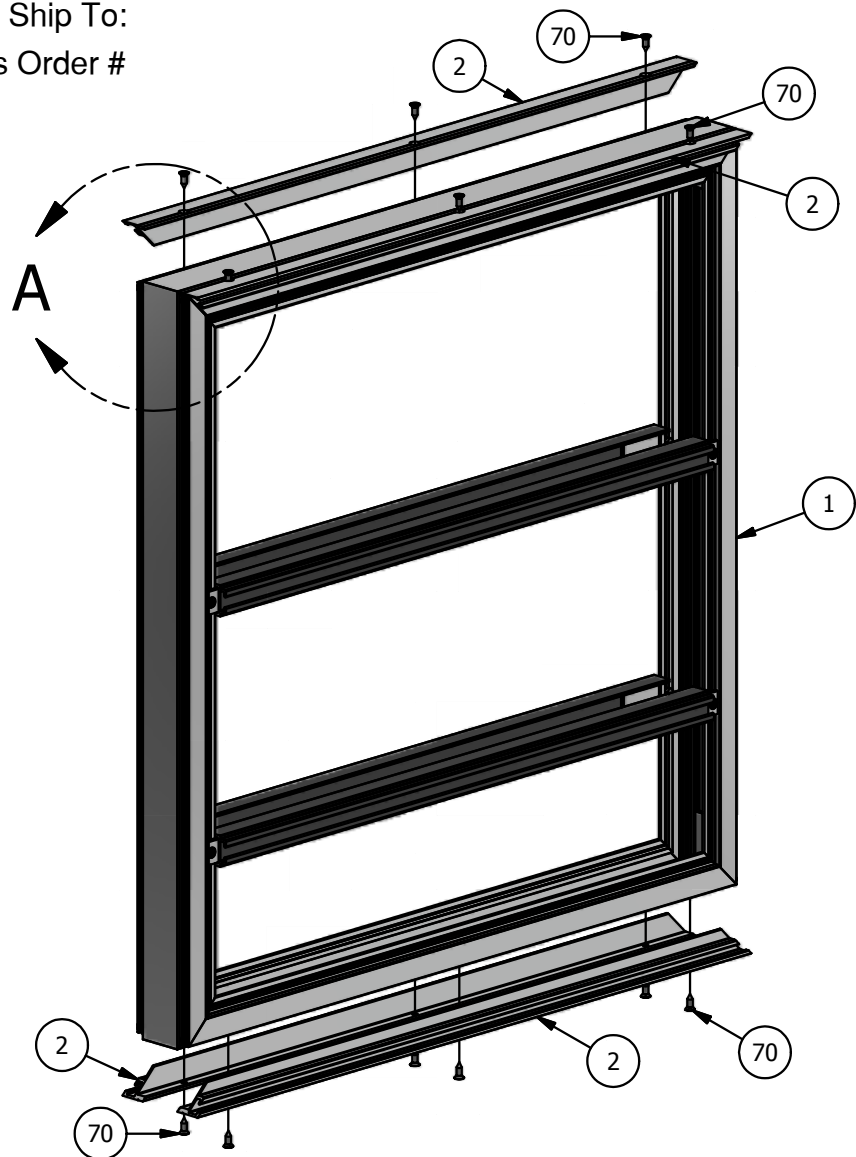
1

PARTS LIST			
ITEM	PART #	DESCRIPTION	NOTES
1	K1290	Series 3 Access Body	Assembly
2	1292	Insert Top & Bottom Cover	
70	5168	Insert Top & Bottom Cover Screw	Drill #8 countersink

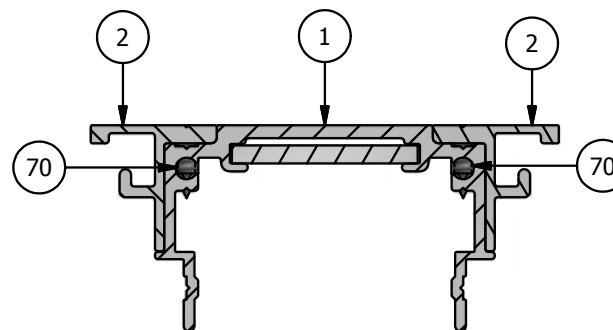
**NOTE: PRE-CUT KITS ARE NOT PRE-DRILLED.**

(Holes shown in this drawing are for reference only.  
Drilling of pilot holes are to be done by fabricator.)

Ship To:  
Sales Order #



DETAIL A



HORIZONTAL CROSS-SECTION VIEW

2



1

THIS DRAWING WAS CREATED AT NO CHARGE TO ASSIST YOU IN VISUALIZING OUR PROPOSAL. THE DRAWING HEREIN IS THE PROPERTY OF SIGNCOMP. PERMISSION TO COPY OR REVISE THIS DRAWING OR TO USE THIS DRAWING FOR PRODUCTION IS STRICTLY PROHIBITED AND CAN ONLY BE COPIED, REVISED OR USED FOR PRODUCTION WITH THE EXPRESSED WRITTEN PERMISSION OF SIGNCOMP.

Project Name: Series 3 - Access Body with Insert Cover - Assembly

Sign Company: K1290/1292

Part #:

Revision:

Date: 3/8/2017

Sheet: 1 of 1

Size:

A

Drawing By: SBreihof

**SignComp**

A



B

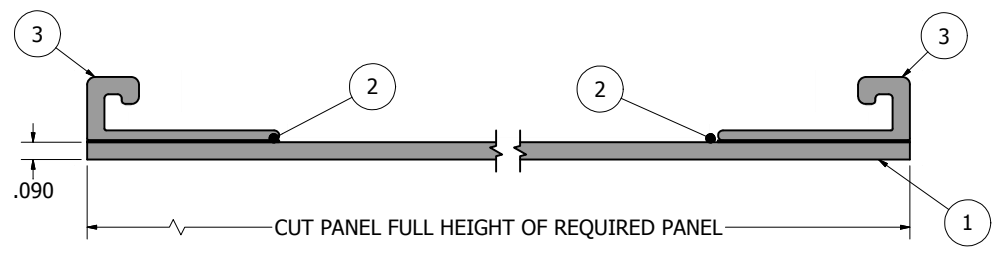
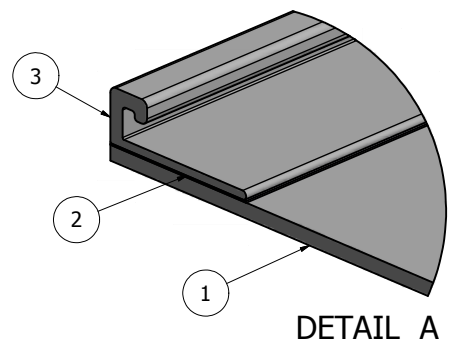
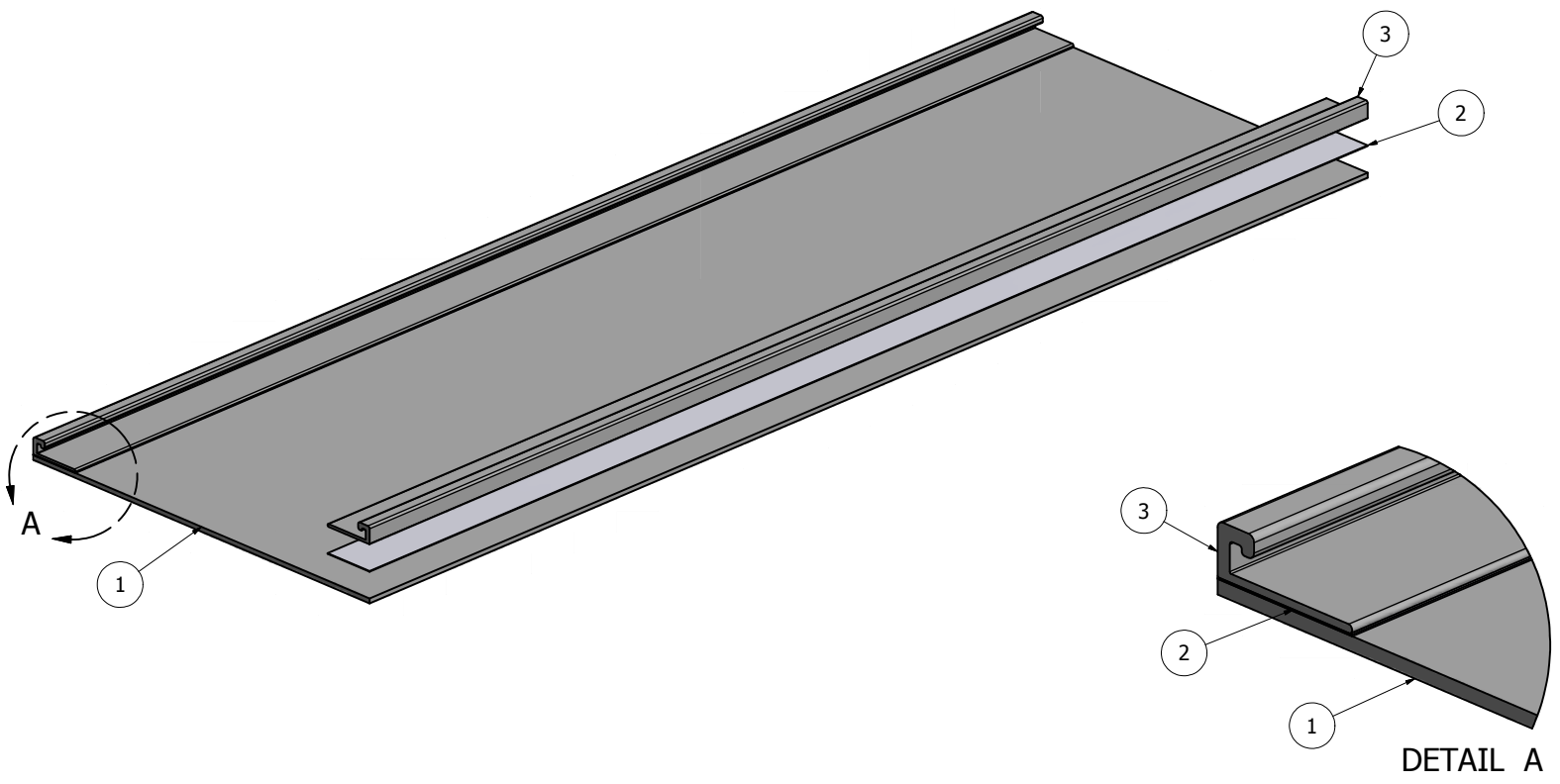
B



A

Parts List			
ITEM	PART #	DESCRIPTION	NOTES
1	Aluminum Stock	.090 Flat Aluminum Sheet	By Fabricator
2	Tape/Adhesive	Bonding Tape or Bonding Adhesive	For Aluminum Bonding - By Fabricator
3	1679	Aluminum Insert Adaptor	Top and Bottom

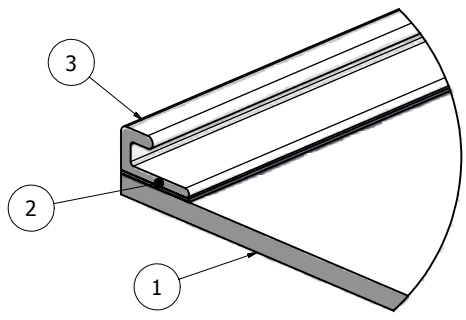
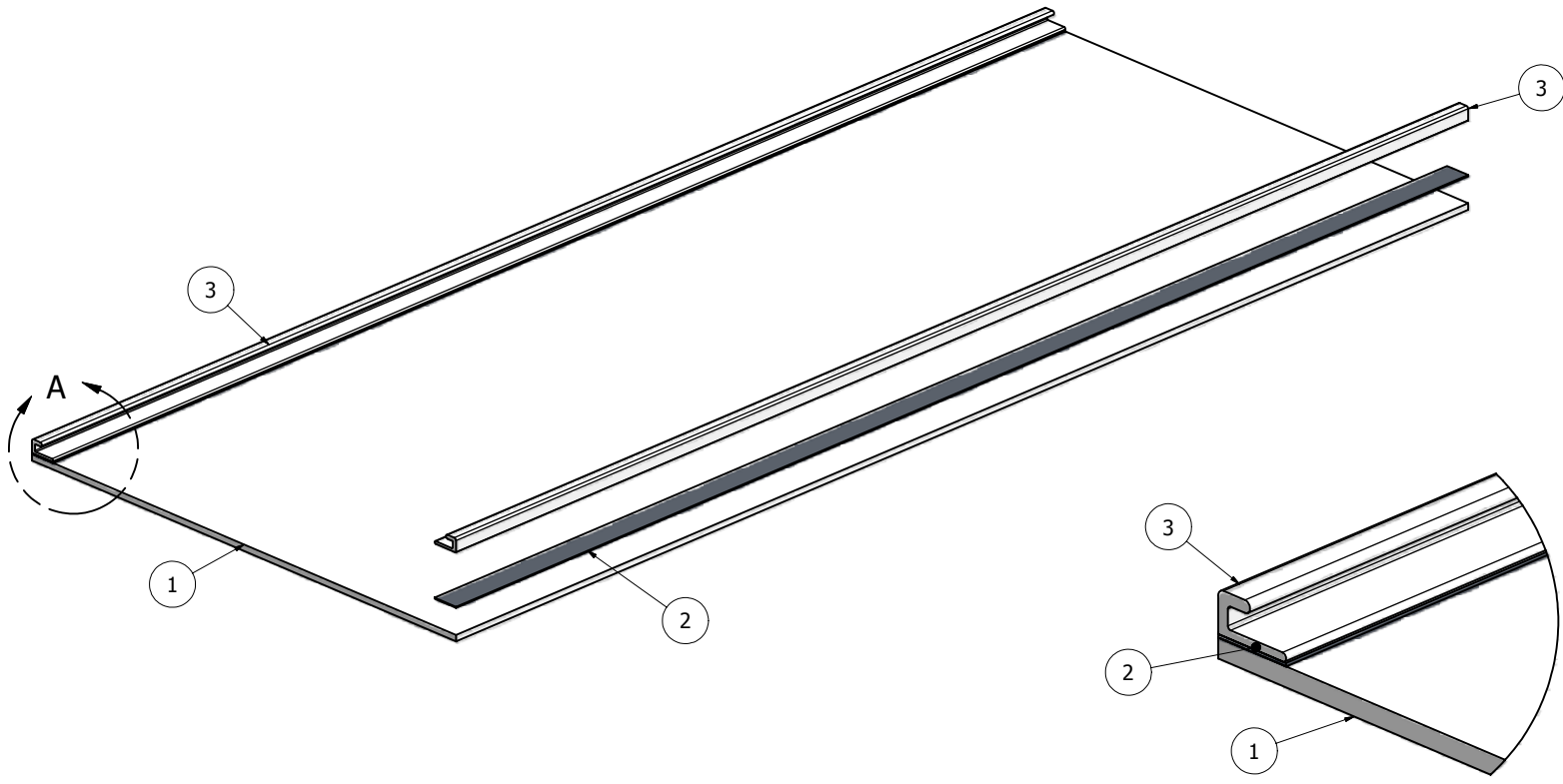
Ship To:  
Sales Order#



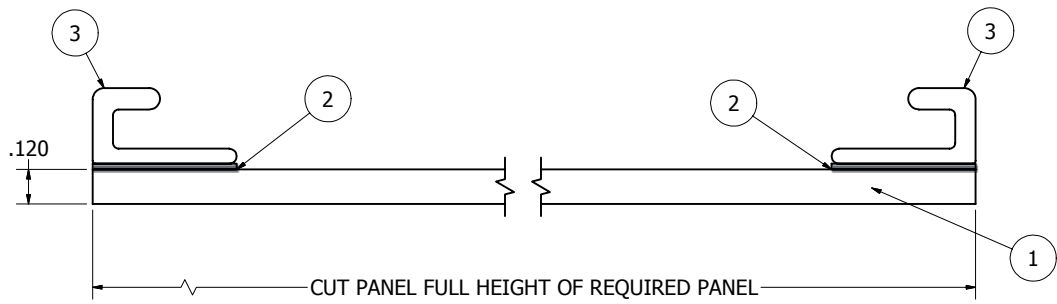
**NOTE: PRE-CUT KITS ARE NOT PRE-DRILLED.**  
(Holes shown in this drawing are for reference only.  
Drilling of pilot holes are to be done by fabricator.)

THIS DRAWING WAS CREATED AT NO CHARGE TO ASSIST YOU IN VISUALIZING OUR PROPOSAL. THE DRAWING HEREIN IS THE PROPERTY OF SIGNCOMP. PERMISSION TO COPY OR REVISE THIS DRAWING OR TO USE THIS DRAWING FOR PRODUCTION IS STRICTLY PROHIBITED AND CAN ONLY BE COPIED, REVISED OR USED FOR PRODUCTION WITH THE EXPRESSED WRITTEN PERMISSION OF SIGNCOMP.				
DRAWN	12/15/2008	<h1 style="text-align: center;">SignComp</h1>		
Steve				
CHECKED				
QA				
MFG				
APPROVED		TITLE		
		Aluminum Insert Adaptor - Assembly		
		SIZE	DWG NO	REV
		C	1679	
		SCALE	SHEET 1 OF 1	

Parts List			
ITEM	PART #	DESCRIPTION	NOTES
1	Plastic Stock	.120 Acrylic Sheet	By Fabricator
2	Adhesive	Adhesive Tape (for Plastic) or Liquid Bonding Agent	By Fabricator
3	1689	Plastic Insert Adaptor	Top & Bottom



DETAIL A



**NOTE: PRE-CUT KITS ARE NOT PRE-DRILLED.**  
 (Holes shown in this drawing are for reference only.  
 Drilling of pilot holes are to be done by fabricator.)

THIS DRAWING WAS CREATED AT NO CHARGE TO ASSIST YOU IN VISUALIZING OUR PROPOSAL. THE DRAWING HEREIN IS THE PROPERTY OF SIGNCOMP. PERMISSION TO COPY OR REVISE THIS DRAWING OR TO USE THIS DRAWING FOR PRODUCTION IS STRICTLY PROHIBITED AND CAN ONLY BE COPIED, REVISED OR USED FOR PRODUCTION WITH THE EXPRESSED WRITTEN PERMISSION OF SIGNCOMP.

DRAWN Steve	12/15/2008	<b>SignComp</b>	
CHECKED			
QA		TITLE Plastic Insert Panel Adaptors - Assembly	
MFG		SIZE C	DWG NO K1689
APPROVED		SCALE	REV
		SHEET 1 OF 1	